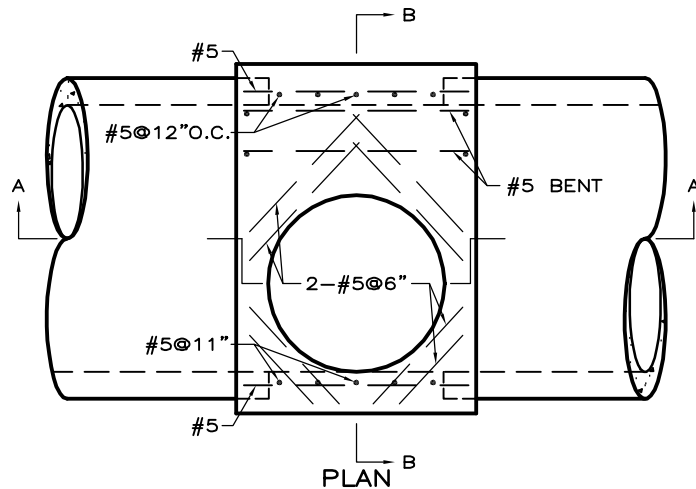
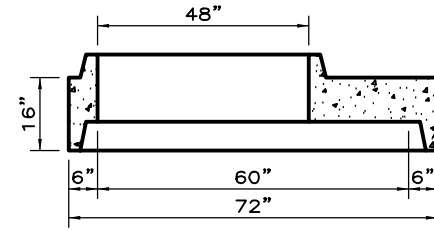


SECTION A-A

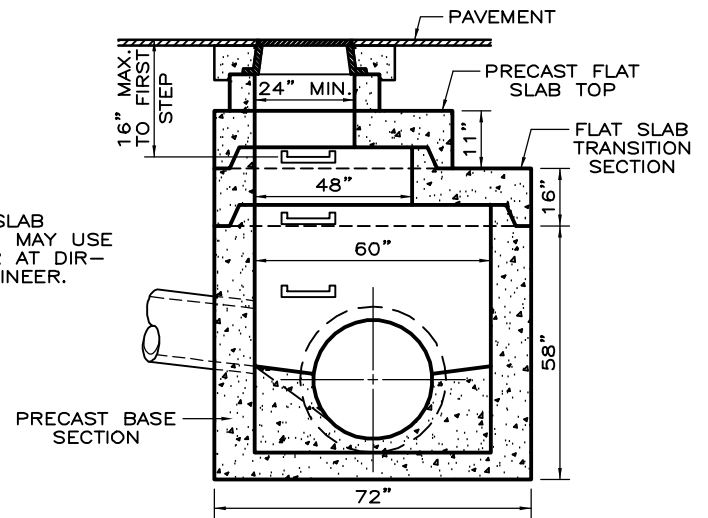
SECTION B-B



PLAN
TYPE "C" MANHOLE
(FOR SEWERS OVER 48" DIAMETER)



FLAT SLAB
TRANSITION SECTION



TYPE "E" MANHOLE
(FOR SHALLOW SEWERS)

NOTE:
IN PLACE OF FLAT SLAB
TRANSITION SECTION, MAY USE
ECCENTRIC REDUCER AT DIR-
ECTION OF THE ENGINEER.

TYPE "C" & "E" STORM MANHOLES