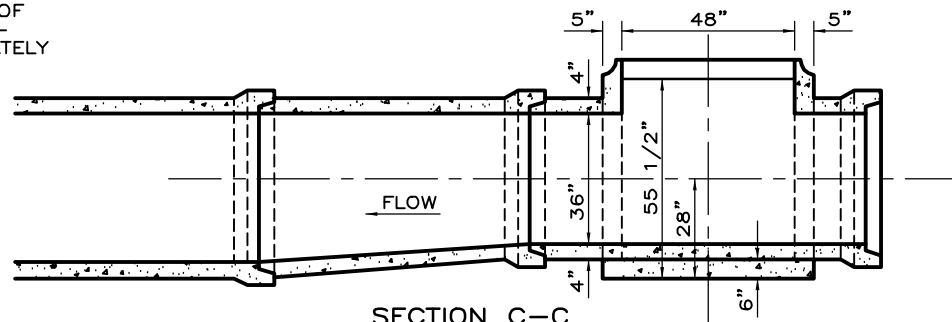
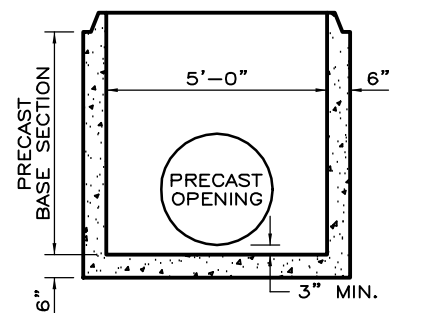


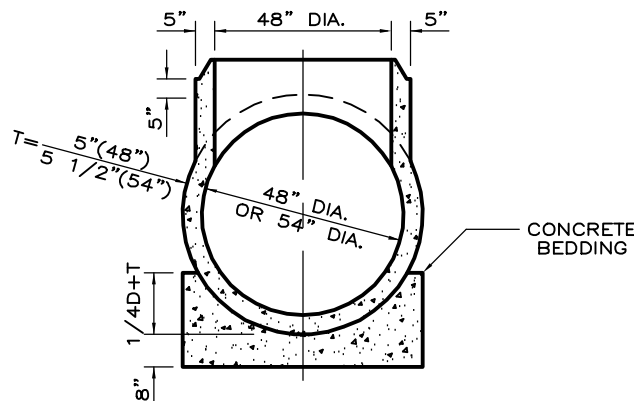
PLAN



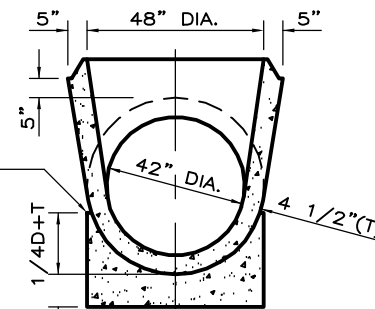
SECTION C-C



SECTION D-D  
FOR SEWERS 27" THRU 33"



SECTION D-D  
FOR 48" & 54" SEWERS



SECTION D-D  
FOR 42" SEWERS

REINFORCING FOR CONCRETE BEDDING  
SHALL BE NO. 5 BARS @ 8" CENTERS,  
BOTH WAYS, 5" BELOW LOWERMOST  
DIMENSION OF THE "T" SECTION.

**NOTE:**

CHANGES IN PIPE SIZES SHALL BE  
MADE BY INSTALLATION OF AN ECCENTRIC  
REDUCER. CHANGES IN ALIGNMENT SHALL  
BE MADE BY INSTALLATION OF A BEND, OF  
SUITABLE DIAMETER AND DEFLECTION, IN-  
STALLED ON THE LOW SIDE AND IMMEDIATELY  
ADJACENT TO MANHOLE T-SECTION OR  
ECCENTRIC REDUCER.

# TYPE "B" STORM MANHOLE