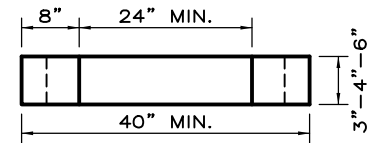
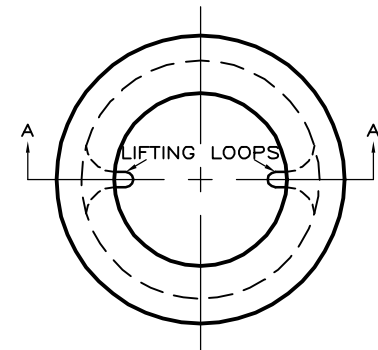
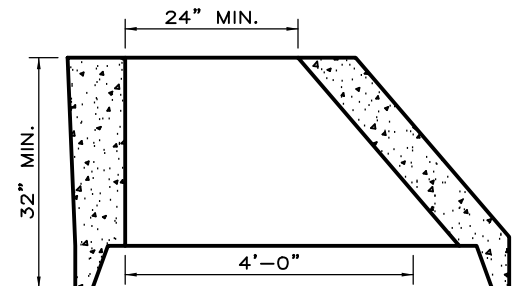


SECTIONAL PLAN



SECTION A-A

PRECAST ADJUSTING RING



ECCENTRIC CONE

TYPE "A" STORM MANHOLE