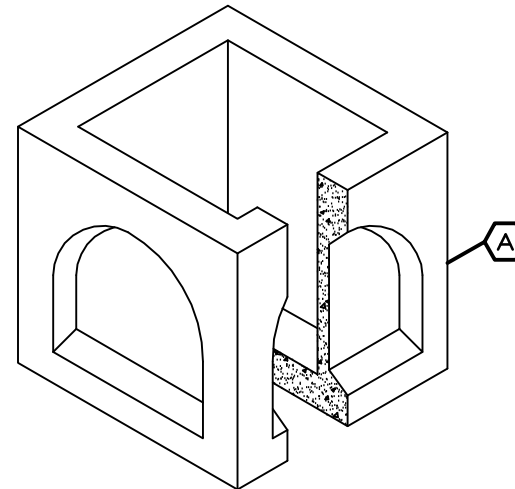
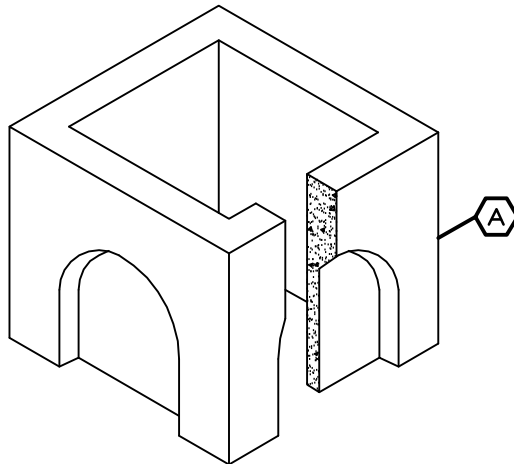
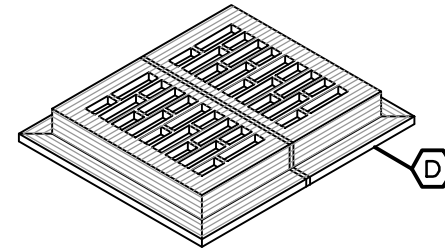
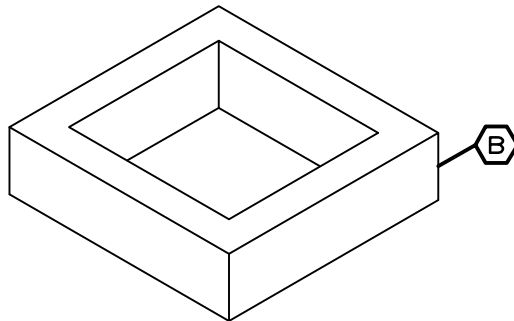


PARTS LIST

(D) CASTING:	NEENAH 3408-A				
(C) TOP SLABS:	AVAILABLE HEIGHTS	N/A	WEIGHT		
(B) EXTENSIONS:	AVAILABLE HEIGHTS	12"	WEIGHT		
(A) BOX SECTION:	AVAILABLE HEIGHTS w/o BOTTOM w/ BOTTOM	W/ HOLES N/A N/A	WEIGHT	W/ KNOCKOUTS 36" 42"	WEIGHT 2940 3900
(A) BOX DIMENSIONS:	INSIDE w/o BOTTOM w/ BOTTOM	OUTSIDE 3'-8" x 3'-6" 3'-8" x 3'-6"	WALLS (TYP.) 6" - 5 1/2" 6" - 7"	WALLS (© KO's) 2" MIN. 2" MIN.	BOTTOM N/A 6"

SPECIFICATIONS

CONCRETE STRENGTH: 4,000 psi
 REINFORCEMENT: ASTM C-913
 REQUIREMENTS: O.D.O.T.
MAX. PIPE SIZE: 19 1/4" (O.D.)



BOX w/o BOTTOM

BOX w/ BOTTOM

TYPE "E" (DOUBLE DRIP) CATCH BASIN