

PARTS LIST

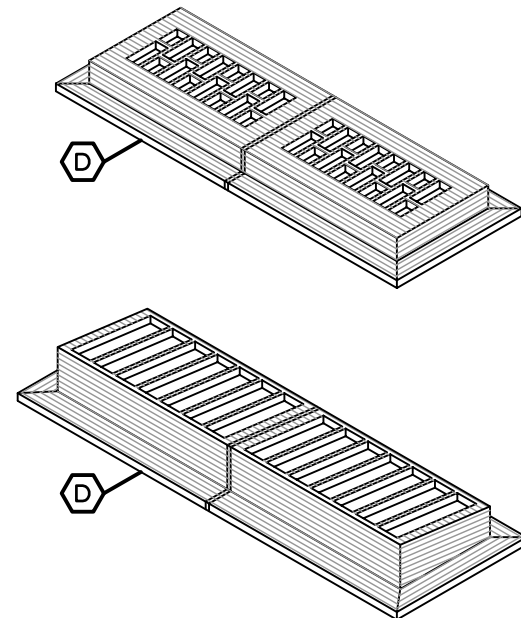
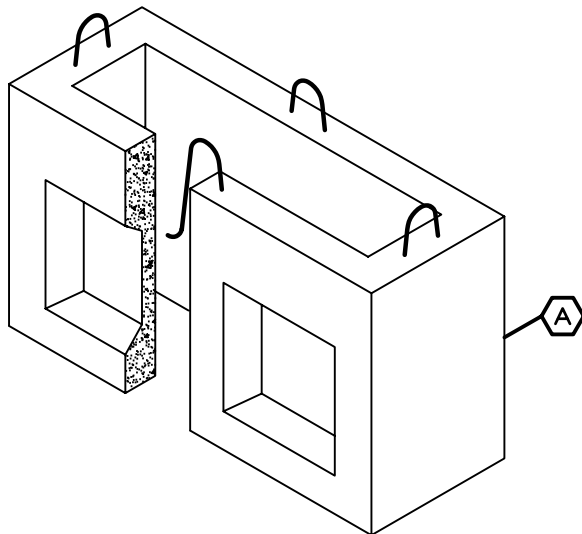
D	CASTING:	NEENAH 3288-E					
C	TOP SLABS:	AVAILABLE HEIGHTS	N/A	WEIGHT			
B	EXTENSIONS:	AVAILABLE HEIGHTS	N/A	WEIGHT			
A	BOX SECTION:	AVAILABLE HEIGHTS	W/ HOLES N/A	WEIGHT	W/ KNOCKOUTS 42"	WEIGHT 3900	
A	BOX DIMENSIONS:	INSIDE 5'-2" x 1'-3"	OUTSIDE 6'-2" x 2'-3"	WALLS (TYP.) 6"	WALLS (@ KO's) 3"	BOTTOM N/A	

SPECIFICATIONS

CONCRETE STRENGTH: 4,000 psi
 REINFORCEMENT: ASTM C-913
 REQUIREMENTS: O.D.O.T.
MAX. PIPE SIZE: 19 1/4" (O.D.)

NOTE:

1. CATCH BASIN SHALL HAVE THE FOLLOWING TEXT CAST INTO THE TOP OF THE CURB, CASTING: "DUMP NO WASTE" AND "DRAINS TO WATERWAY".
2. ALL GRATES SHALL BE BICYCLE SAFE.



TYPE "C" CATCH BASIN