

PARTS LIST

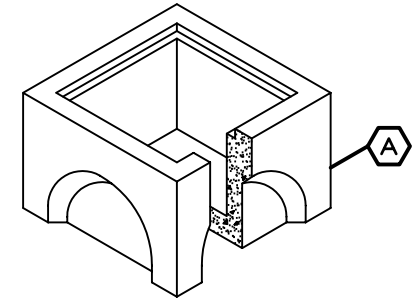
(D) CASTING:	NEENAH R-4859C				
(C) TOP SLABS:	AVAILABLE HEIGHTS		WEIGHT		
	FLAT TOP	5"	360		
	SOLID FLAT TOP	5"	700		
	SLOPED TOP	17"	1200		
(B) EXTENSIONS:	AVAILABLE HEIGHTS		WEIGHT		
	6"		375		
	12"		750		
	18"		1125		
	24"		1500		
	42"		2625		
	2-2A 12"		600		
(A) BOX SECTION:	AVAILABLE HEIGHTS	W/ HOLES	WEIGHT	W/ KNOCKOUTS	WEIGHT
	W/ BOTTOM	24"	1800	24"	1800
	W/O BOTTOM	24"	1500	24"	1500
	W/ BOTTOM	42"	2925	42"	2925
	W/O BOTTOM	42"	2625	42"	2625
(A) BOX DIMENSIONS:	INSIDE	OUTSIDE	WALLS (TYP.)	WALLS (@ KO's)	BOTTOM
	2'-0" x 2'-0"	3'-0" x 3'-0"	6"	3"	6"

SPECIFICATIONS

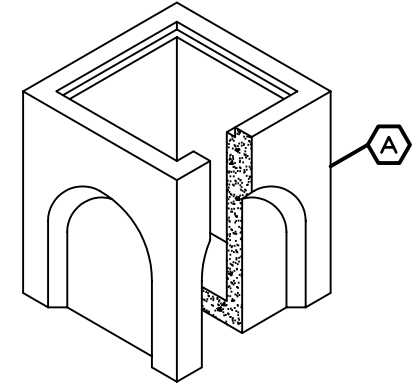
CONCRETE STRENGTH: 4,000 psi
 REINFORCEMENT: ASTM C-913
 REQUIREMENTS: O.D.O.T.
MAX. PIPE SIZE: 19 1/4" (O.D.)

NOTE:

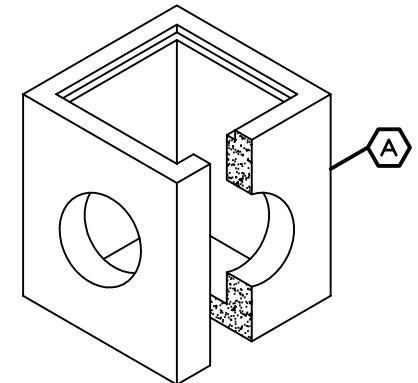
- CATCH BASIN SHALL HAVE THE FOLLOWING TEXT CAST INTO THE TOP OF THE CURB CASTING: "DUMP NO. WASTE" AND "DRAINS TO WATERWAY".
- ALL GRATES SHALL BE BICYCLE SAFE.



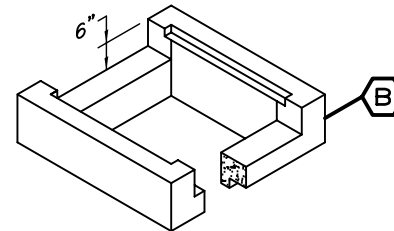
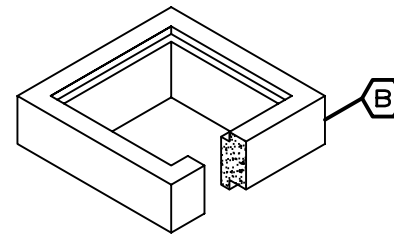
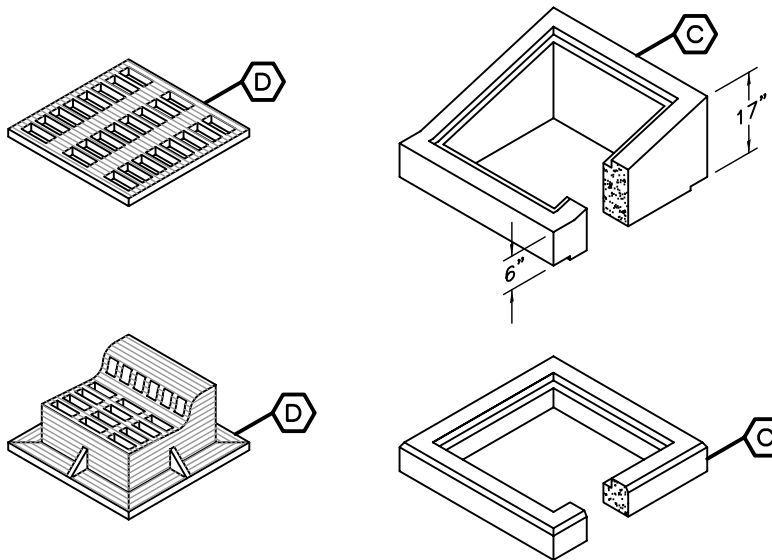
24" BOX w/ KO's



42" BOX w/ KO's



BOX w/ HOLES



TYPE "2-2B" CATCH BASIN