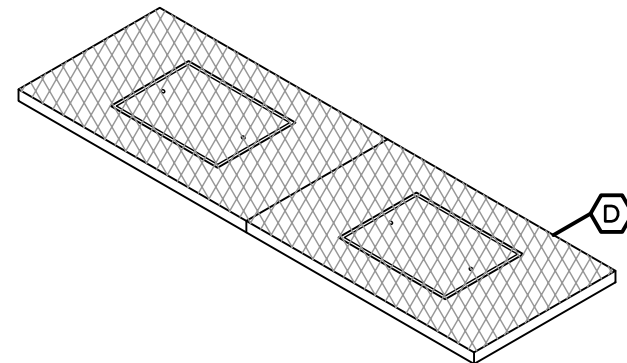
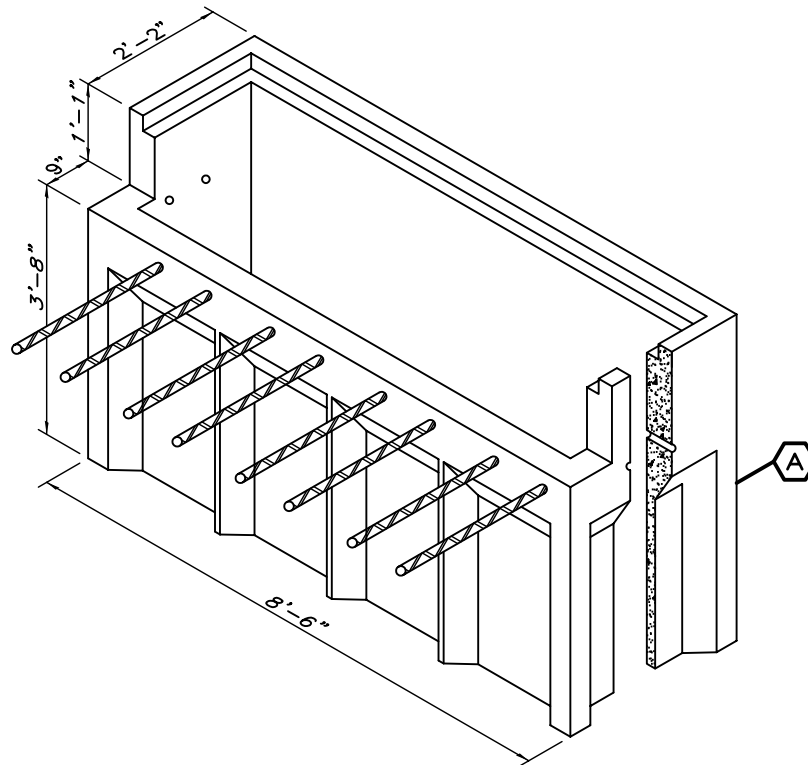


PARTS LIST

D CASTING:	NEENAH 3312-B					
C TOP SLABS:	AVAILABLE HEIGHTS	N/A	WEIGHT			
B EXTENSIONS:	AVAILABLE HEIGHTS	N/A	WEIGHT			
A BOX SECTION:	AVAILABLE HEIGHTS	W/ HOLES N/A N/A	WEIGHT	W/ KNOCKOUTS 36" 57"	WEIGHT 3900 6100	
A BOX DIMENSIONS:	INSIDE 7'-6" x 1'-11"	OUTSIDE 8'-6" x 2'-11"	WALLS (TYP.) 6"	WALLS (@ KO's) 3"	BOTTOM N/A	

SPECIFICATIONS

CONCRETE STRENGTH: 4,000 psi
 REINFORCEMENT: ASTM C-913
 REQUIREMENTS: O.D.O.T.
MAX. PIPE SIZE: 16" (O.D.)



NOTE:

1. CATCH BASIN SHALL HAVE THE FOLLOWING TEXT CAST INTO THE TOP OF THE CURB CASTING: "DUMP NO WASTE" AND "DRAINS TO WATERWAY".
2. ALL GRATES SHALL BE BICYCLE SAFE.

TYPE "B" CATCH BASIN