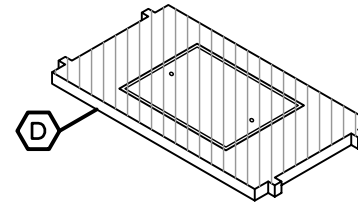
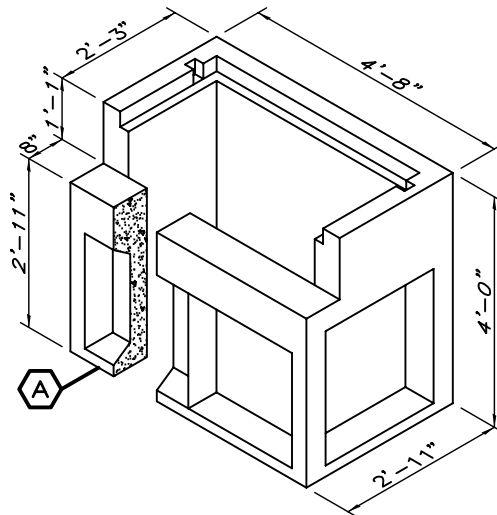


PARTS LIST

⬡	CASTING:	NEENAH 3312-A				
⬡	TOP SLABS:	AVAILABLE HEIGHTS	N/A	WEIGHT		
⬡	EXTENSIONS:	AVAILABLE HEIGHTS	N/A	WEIGHT		
⬡	BOX SECTION:	AVAILABLE HEIGHTS	W/ HOLES	WEIGHT	W/ KNOCKOUTS	WEIGHT
			N/A		24"	1300
			N/A		36"	2100
			N/A		48"	2900
			N/A		60"	3700
⬡	BOX DIMENSIONS:	INSIDE 3'-10" x 2'-1"	OUTSIDE 4'-8" x 2'-11"	WALLS (TYP.) 5"	WALLS (@ KO's) 2"	BOTTOM N/A

SPECIFICATIONS

CONCRETE STRENGTH: 4,000 psi
 REINFORCEMENT: ASTM C-913
 REQUIREMENTS: O.D.O.T.
MAX. PIPE SIZE: 23" (O.D.)



NOTE:

1. CATCH BASIN SHALL HAVE THE FOLLOWING TEXT CAST INTO THE TOP OF THE CURB CASTING: "DUMP NO WASTE" AND "DRAINS TO WATERWAY".
2. ALL GRATES SHALL BE BICYCLE SAFE.

TYPE "A" CATCH BASIN